

Model PE - Professional (ERV)

PE 7.15 & PE 10.22



Features

CFM

PE 7.15: 30 to 160
PE 10.22: 50 to 220

Certification

HVI, cCSAus

Configuration

Horizontal

Speed

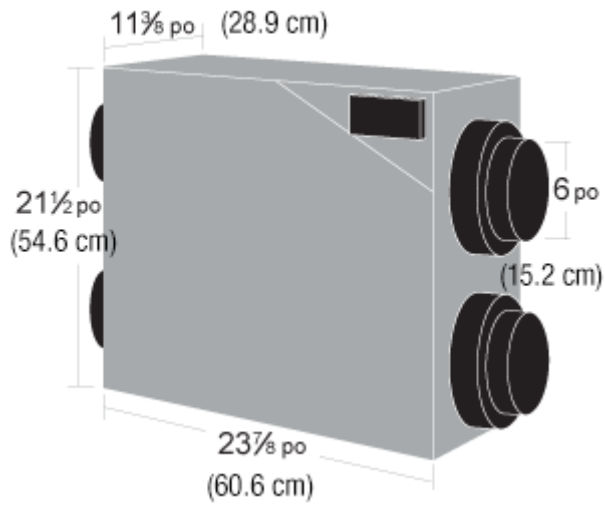
Variable

Operating Modes

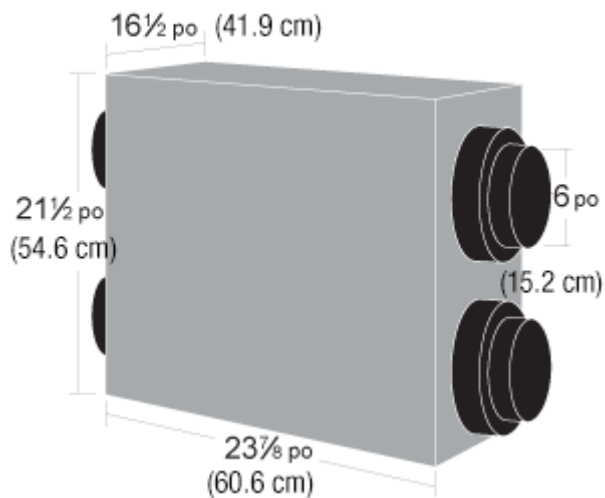
Intermittent, Continuous Ventilation

Dimensions

PE 7.15



PE 10.22



Warranties



10 Year Limited on ventilation motors

Lifetime Limited on the heat recovery core

5 Year Limited on all other components

Engineered motors

All Greentek products are designed with high performance, reliable and maintenance free motors for your comfort and peace of mind.



ISF™ 6" diameter collar system



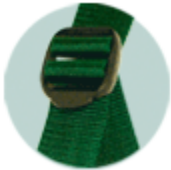
Quick and simple to install thanks to our revolutionary "Insert Slide and Fix" collar system. The "ISF" collar system by Greentek enables you to manipulate duct within your reach and then insert the collar to the HRV/ERV by sliding it in place, for a better and quicker installation

DuoTrol™ balancing system



Silent and economical. By reducing motor speed to balance the unit, you avoid the noise that would be produced by balancing dampers. In addition, with this technology the unit will consume less energy.

SPM™ attachment system



The entire line of Greentek HRV/ERV products is designed for installation by a single person. Single Person Mounting will enable you to save time and effort by offering you a variable attachment system and maximizing your basement space

Pull Through operation system



Outside air is pulled through the heat exchanger, which acts as a sound attenuator. This process is very silent and provides you with better home comfort.

Proportional Damper Defrost operation system



The defrost energy is controlled by the outdoor air temperature. The motor speed essentially increases as temperature drops to provide increased defrost capacity. For instance, at -5°C the defrost mode will function at low speed. This technology reduces energy usage by eliminating unnecessary defrost energy during milder days and offers a more silent operation.