

Matrix Hood

High Performance 2 in 1 Ventilation Hood



Features

Low profile 2 in 1 ventilation hood

Simple & easy to install

Design for optimum airflow & minimum cross-contamination

Ideal for HRV or ERV

Screen design prevents birds & rodents from entering

Residential or condo applications

Single port to exterior wall

Durable powder coated white galvanize metal (paintable)

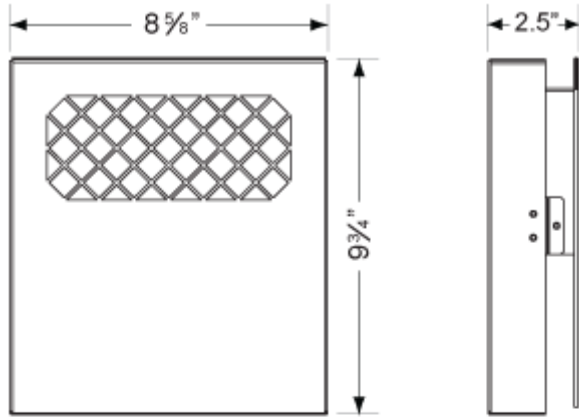
100% U.V. Resistant

Maximum efficiency

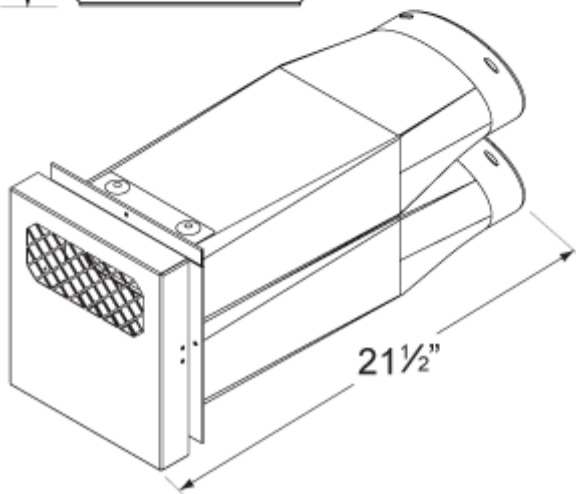
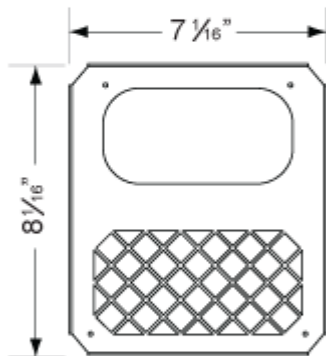
Satisfaction guaranteed

Dimensions

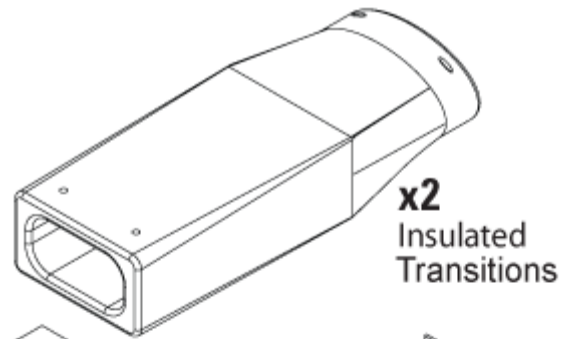
Ventilation Cap



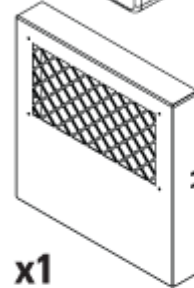
Transition connector plate



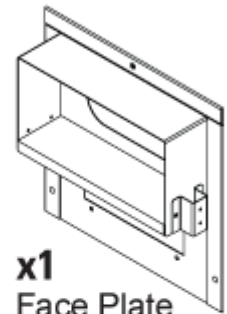
Matrix kit



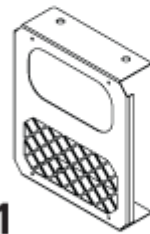
x2
Insulated
Transitions



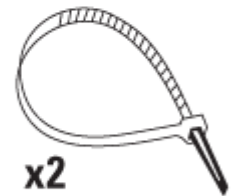
x1
Ventilation Cap



x1
Face Plate



x1
Connector Plate



x2
Tie Wrap

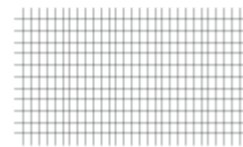
x8
#10 x $\frac{5}{8}"$



x3
#10 x 2"



x1
1/4" Screen Mesh



x4
Vinyl Panel
Retainer

