

HEPA Filtration

Best residential air cleaner on the market




Features

performance
200 & 300 CFM

Certification
cCSAus

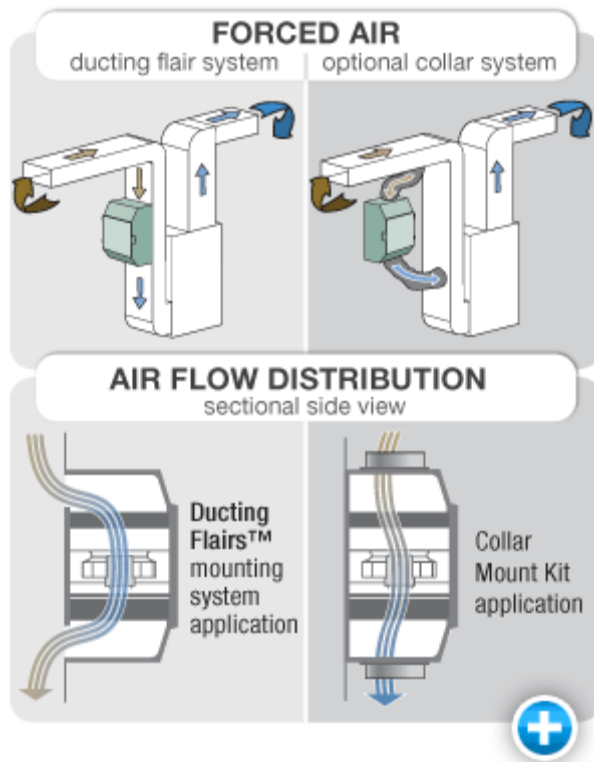


Major particles found in common households

Economical Low Grade Filter 90%	High Efficiency Filter 93%	 HEPA Filter 99.97%
HUMAN HAIR	DANDRUFF	FORMALDEHYDE
HAIR FROM HOUSEHOLD PETS	ANTHRAX	CO2
	SPORES	
	BACTERIA	
	WOOD & TOBACCO SMOKE	
	DOMESTIC DUST	
MOISTURE		SMOG
	INSECTICIDES	COOKING ODORS

Forced Air

Ducting Flairs mounting system application



99.97% Effective



Removes harmful microscopic air particles from your home. The HEPA media is HEPA certified and tested to be 99.97% effective at filtering fine particles down to 0.3 microns. It is made of very thin, densely packed micro glass fibres.

To insure proper operation & compatibilities of both system, it is required that the airflow's of the LCH Heat Recovery Ventilator (HRV) or Energy Recovery Ventilator (ERV) be balanced, by following the procedures found in the Installation manual.

Engineered motors



All Greentek products are designed with high performance, reliable and maintenance free motors for your comfort and peace of mind.

Easy maintenance

- Maintenance is a breeze with our modular construction.
- The pre-filter, carbon filter and HEPA media filter slide out for easy replacement.
- On average your pre-filter and carbon filter need to be replaced every 3 to 6 months.
- Your HEPA filter needs to be replaced every 2 to 5 years.

Variable speed settings

Variable speed settings give you the convenience of operating your unit at a maximum filtration or at a lower rate.

Configuration

Works in conjunction with your heating, ventilation, and air conditioning (HVAC) system, as well as stand-alone.

Ultra-quiet operation

Our unique design places filters on either side of the motor, creating a double sound barrier to run quietly and efficiently. In addition, the entire unit casing is lined with insulation, and rubber mounts isolate the motor from the cabinet.

Warranty

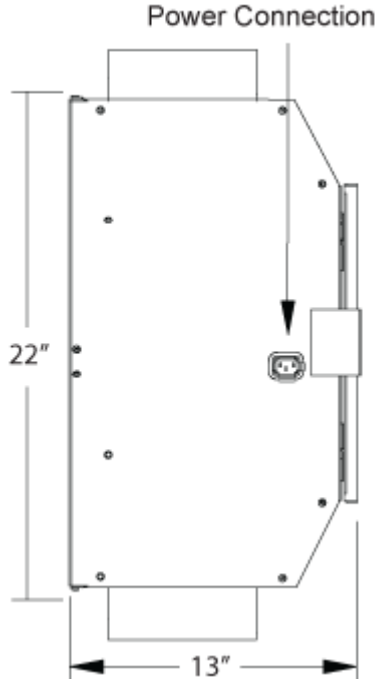


Greentek Peace of Mind

All Greentek products are backed by the best limited warranty in the industry, for your peace of mind. You benefit from a limited 10 years warranty on our ventilation motors and a 5 year warranty on all other components. So you can breathe easy.

Dimensions

Side View



Front View

