

ENGINEERING DATA

LCH 30.700A HRV

Heat Recovery Ventilator

300 CFM (142 L/s) to 700 CFM (330 L/s)

Item No. 101187 (LCH 30.700A)



FEATURES

- 3 operating modes (Intermittent, Continuous & High)
- 100% variable speed
- Proportional defrost sequence
- Permanent lubrication of PSC motors

APPLICABLE REQUIREMENTS

- CSA C439 Standard - Packaged heat/energy recovery ventilators (HRV/ERV)
- CSA Standard CSA 22.2 N^o.113-10 - Fans and ventilators
- UL Standard 1812 2nd Ed. Ducted heat/energy recovery ventilators (HRV/ERV)

CABINET

- 20 gauge galvanized pre-painted steel corrosion resistant

ELECTRONIC COMPONENTS

- Electrical Input Voltage: 120 VAC/60Hz / 1-Phase
- Electrical Input Current: 5 Amps Max
- Circuit output voltage: 5 VDC nominal
- Integrated auxiliary furnace interlock relay
- Integrated 24V connection
- 24V/40A transformer, 24 VAC 10-15A UL/CSA relay
- RoHs compliant

MOTORS

- Two permanent sealed, lubricated variable speed PSC Motors. (Maintenance free)
- Maximum RPM 2760/Horsepower; ½ HP, Class F, thermally protected
- CSA 22.2 #113-10, clause 8.3.5
 - Backup protection – totally enclosed motor

ALUMINUM HRV CORE

- Dimensions (2) 12" x12" x15" depth (304.8 mm x 304.8 mm x 381 mm)
- Corrugated cross-flow aluminum layers, UL94 HF-1
- Cross-flow that transfers sensible heat
- Endure harsh temperatures; effective in cold climates
- Water washable

BALANCING THE SYSTEM

- The system is balanced by adjusting each motor independently
- No balancing dampers required
- Connection terminals for optional wall controls
- Quiet and energy efficient

DEFROST

- Advanced Proportional supply fan shut down defrost sequence
- Defrost type: Evacuation
 - Activated automatically at -5°C (23°F)

DUCT CONNECTIONS

- (4) 8" x 14" (203 mm x 355 mm)

MOUNTING

- Saddle installation
- Suspended installation with threaded rod (not included)

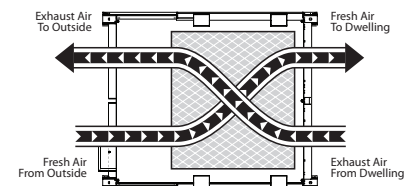
FILTERS

- Four (4) Fiberbond washable - 11½" x 15" x ½" (295.3 mm x 381 mm x 15.9 mm)
- UL Class 2 rated

WARRANTY

- 2 year limited warranty on motors
- 2 year limited warranty on parts
- 15 year limited warranty on Heat Recovery Core

AIRFLOW (Top View)



Imperial Air Technologies

480 Ferdinand Blvd.,
Dieppe, NB Canada E1A 6V9

Toll free: 1 888 724-5211
Fax: 1 (506) 388-4633

Visit us at: www.greentek.ca / www.imperialgroup.ca

PP0778 / AUG2014



Imperial Air Technologies Inc. reserves the right to modify a product, without prior notice, whether in design, colour or specifications, in order to offer at all times a quality product that is highly competitive. Please consult your national and local building codes to find out whether the installation of electrical products requires the services of a certified technician or electrician. Greentek™ is a registered Trademark used under license by Imperial Sheet Metal Ltd. All rights reserved.

ENGINEERING DATA LCH 30.700A HRV

SPECIFICATIONS LCH 30.700A HRV

Dimensions	34.4" x 30" x 25.3" (874.7 mm x 762.5 mm x 641.9 mm)
Duct Connections	Four (4) 8" x 14" (203 mm x 355 mm)
Airflow Rates	300 CFM (142 L/s) to 700 CFM (330 L/s)
Motor	Two (2) PSC variable speed backward curved
Voltage	120 VAC @ 60 Hz / 1 Phase
Amperage	5A / 490 Watts
Type of heat exchanger	(2) Aluminum Cross-flow
Exchange surface	300 ft ² (27.8 m ²)
Defrost type	Evacuation
Filters	Four (4) Fiberbond washable
Drain Connection	Two (2) 1/2" (12.7 mm)
Actual Weight	140 lbs (63.5 Kg)
Shipping Weight	204 lbs (92 Kg)
Certification	cCSAUS, CSA 22.2 N ^o .113 Complies with UL 1812

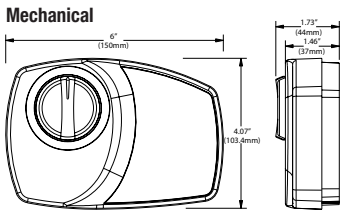
TEST DATA CONDITIONS

Outside Temperature Data	-25°C (-13°F)
Outside Relative Humidity	60% RH
Inside Temperature Data	22°C (72°F)
Inside Relative Humidity	40% RH

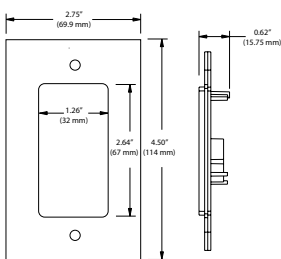
OPTIONAL WALL CONTROLS

Mechanical	RD-1, RD-2, RD-3P and RD-4P
Timers	T3 (20, 40, 60 minutes)

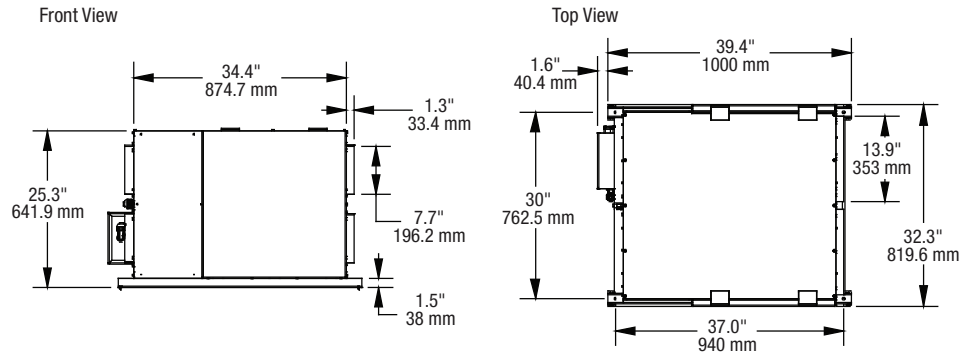
WALL CONTROL DIMENSIONS



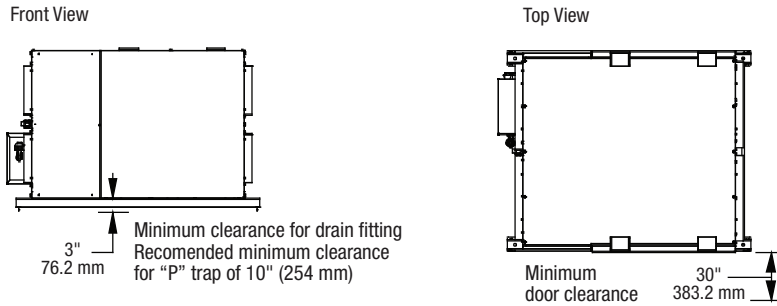
T3 Timer



DIMENSIONS DATA

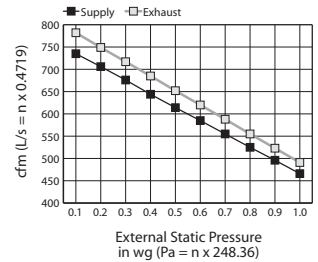


MINIMUM CLEARANCE DATA



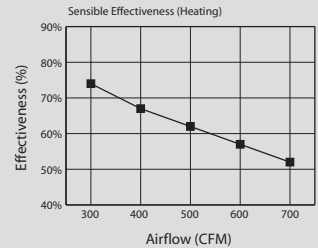
VENTILATION PERFORMANCE

External Static Pressure	Net Supply Air Flow		Gross Air Flow Supply		Gross Air Flow Exhaust		
	Pa	in. wg	L/s	CFM	L/s	CFM	
25	0.1	346	732	347	735	369	782
50	0.2	332	703	333	706	354	749
75	0.3	318	673	319	676	338	717
100	0.4	303	643	304	644	323	685
125	0.5	289	613	290	614	308	652
150	0.6	275	583	276	585	293	620
175	0.7	261	554	262	555	277	588
200	0.8	247	524	248	525	262	555
225	0.9	233	494	234	496	247	523
250	1.0	219	464	220	466	232	491



ENERGY PERFORMANCE CORE*

	Net Air Flow		Apparent Sensible Effectiveness
	L/s	CFM	Effectiveness
HEATING	142	300	74
	189	400	67
	236	500	62
	284	600	57
	330	700	52



*Actual performance may vary pending conditions

Quoted by:	Date:
Project:	Remarks:
Quantity:	
Model:	
Site:	
Architect:	
Engineer:	
Contractor:	